



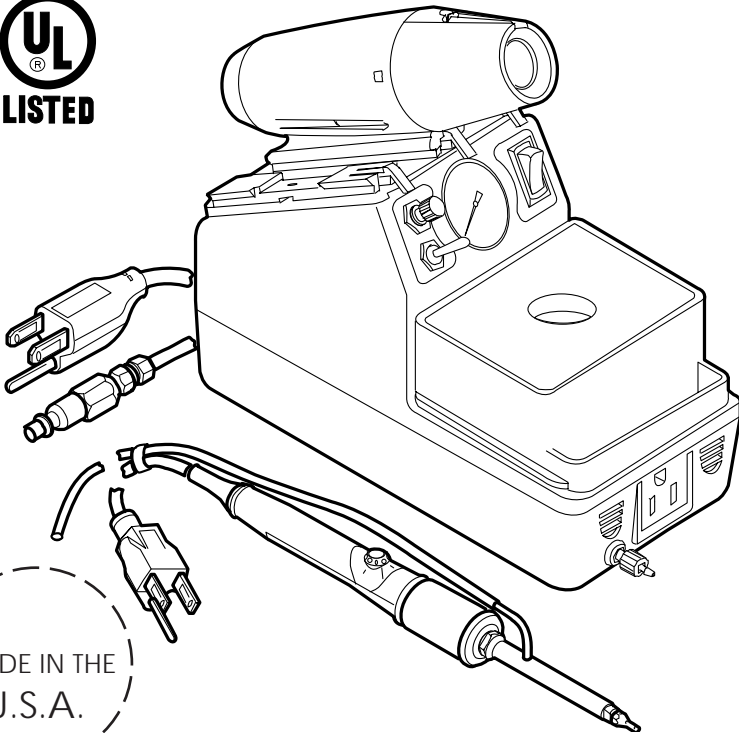
1032

ATMOSCOPE[®]

SMD HOT AIR

WORK STATION

- COMPLIES WITH MIL-S-45743E, MIL-STD-2000, DOD-STD-2000-1B, WS6536E AND ESD SPEC, DOD-STD-1686, DOD-HDBK-263



instruction manual



SMD Hot Air

1032 ATMOSCOPE[®] SMD HOT AIR WORK STATION

The versatility of the **1032 Loner**[®] Hot Air Station is the key to its popularity and

effectiveness. The **1032 Loner**[®] Hot Air Station will easily remove and replace:

- 1) Leadless or leaded resistors, capacitors and transistors
- 2) Small and large outline I.C.s.
- 3) Various types of Quad-paks such as Leadless Chip Carriers, J-Leads, Gull Wings etc.

Since the **1032 Loner**[®] Hot Air Station has a wide range of temperature, this tool can be use for:

- a) Heating of shrink tubes.
- b) Fast shaping of plastics.
- c) Fast melting of glue.

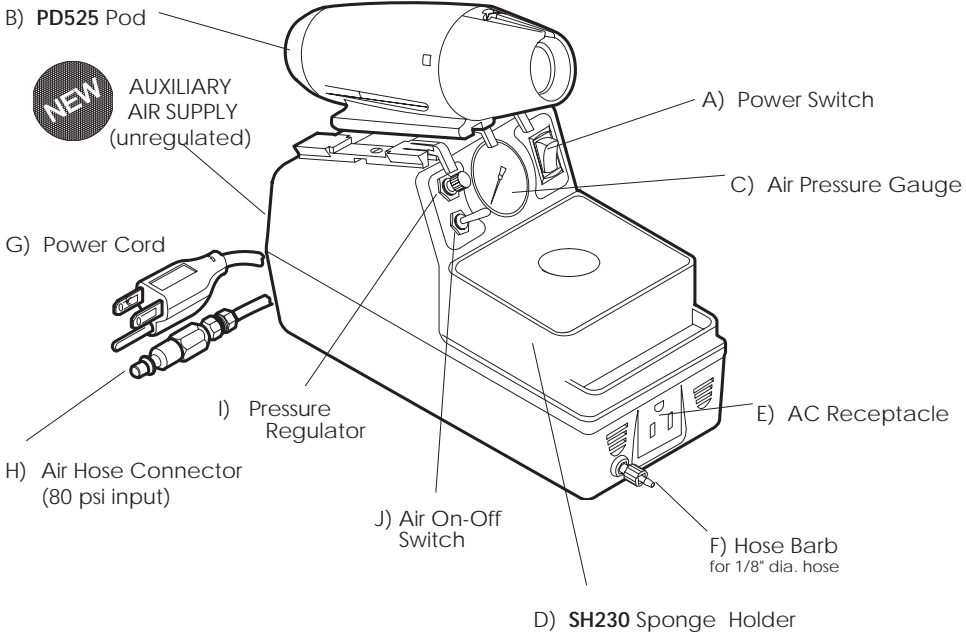
SPECIFICATIONS

- 120 V, 60 Hz, 70 W
- Weight; **FA069**: 6.5 oz. (184 g)
PS537: 2.7 lbs. (1.23 kgs)
- Temperature range: 400°F - 800°F (205°C - 425°C)
- Temperature regulation: ±6°F (±3°C)
- Voltage leakage from tip to ground less than 2 MV
- Tip to ground resistance less than 2 ohm
- UL listed



FEATURES:

PS537 Power Supply



- A) Activates System Power.
- B) Tool Holder (PLACE TOOL WHEN NOT IN USE)
- C) Measures air pressure output. (30 psi maximum reading)
- D) Includes (1) **LN230** Liner, (1) **RS199** Cleaning Sponge and **RS243** Leveling Pad.
- E) Capable of handling (2) 70 W Tools.
- F) Controlled air output.
- G) Heavy duty Power Cord.
- H) Connects to shop air by using a 1/8-27 NPT fitting.
- I) Regulates air output.
- J) Turns on and shuts off air output.

OPERATION

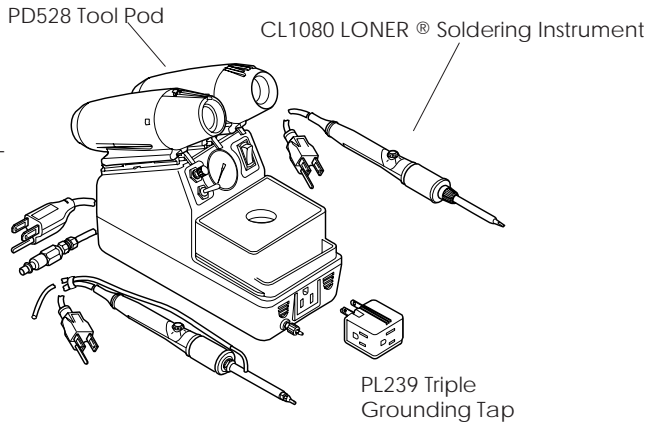
1. Connect 1032 to power source and to shop air.
2. Plug-in hot air tool. connect hose to controlled air output (F)
3. Turn on power switch and air switch
4. Adjust temperature and air pressure.

OPTIONS:

1032-3 ATMOSCOPE®

SMD Hot Air Station

A 1032 with an added Soldering Tool and a Tool Pod.



NEW

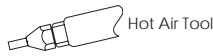
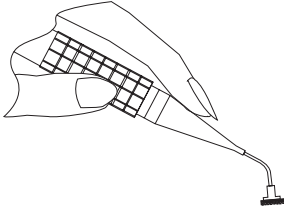
LP250

Lifting Pencil

Powered by low vacuum, this tool is very handy for picking and placing components. Tool Length is 5 25/32" (146.8 mm). Weight is 0.81oz. (22.7 g)



Low Static

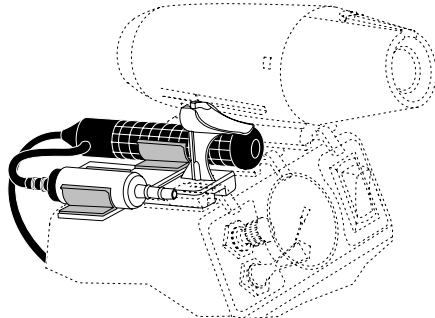


NEW

PM171

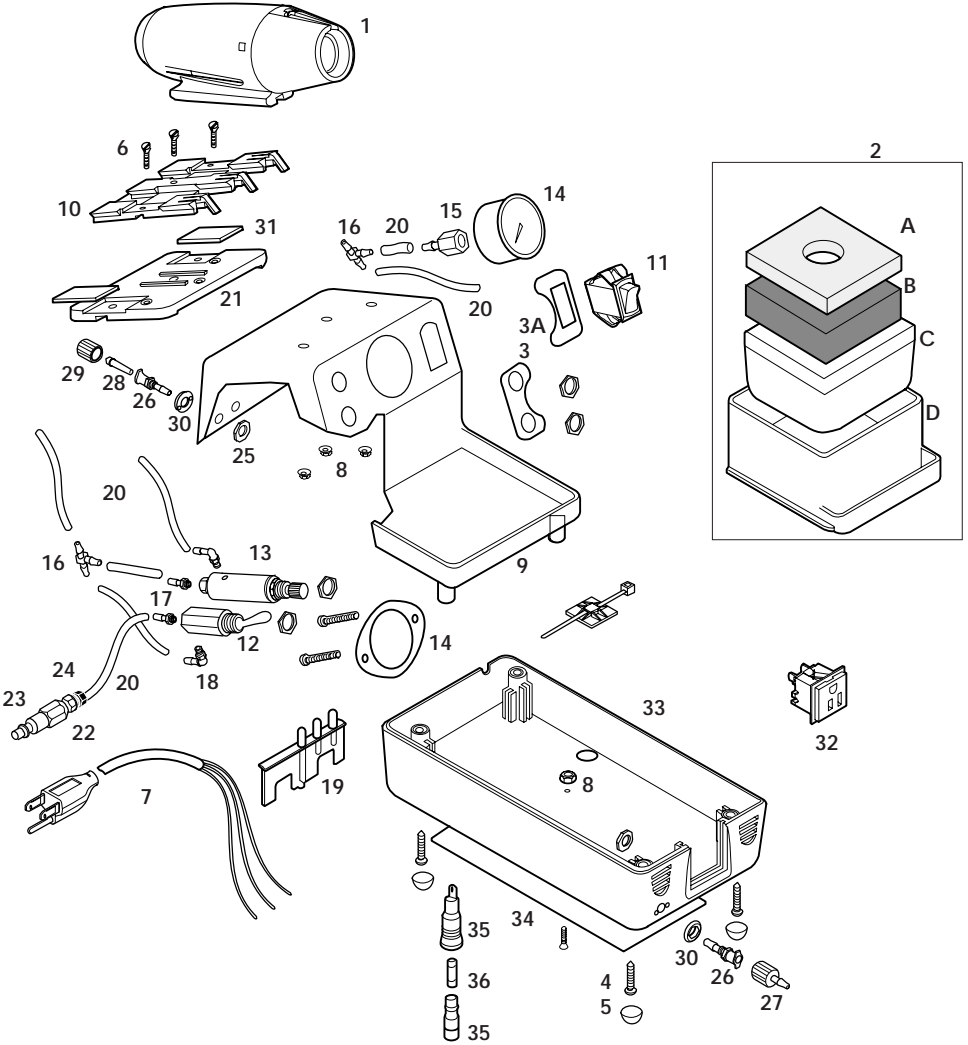
Pod with Vacuum Generator

Vacuum Generator, Filter and Pod in a Module. Complete set-up to power the LP220. Attach to the Auxilliary Air Supply at the back of the PS537 Power Supply.



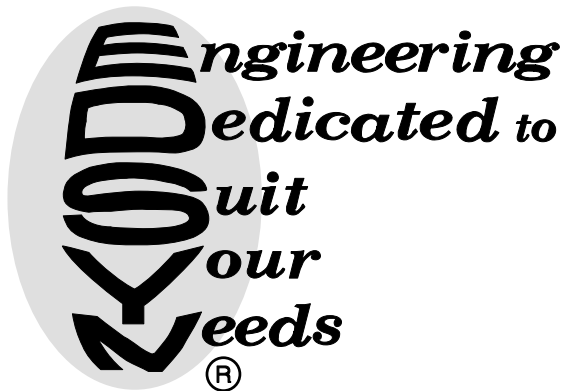
PS537 POWER SUPPLY

SPARE PARTS LIST



ITEM NO.	PART NO.	DESCRIPTION	QTY REQ'D
1	PD525	Tool Pod for SMD Hot Air Tools	1
2	SH230	Sponge Holder with LN230, RS199, RS243	1
2A	RS199	Cleaning Sponge for SH230	1
2B	RS243	Leveling Pad for SH230	1
2C	LN230	Liner for SH230	1
2D	SH230-1	Sponge Holder Tray	1
3	SR272	Label, Control Panel, Left Side (For Air Control)	1
3A	SR273	Label, Control Panel, Right Side (For Power Switch)	1
4	SR011	Screw, #6-18 x 5/8" Pan Head Phillips	4
5	SR012	Rubber Foot	4
6	SR488	Screw, #6-32 x 7/8 Flat Head Slotted	4
7	SR026	Power Cord, 120 VAC	1
8	SR467	Nut, Hex., #6-32	4
9	SR003	Top Cover	1
10	SR019	Dovetail Mount	1
11	SR065	Power Switch	1
12	SR705	Air Switch	1
13	SR270	Air Pressure Regulator	1
14	SR257	Pressure Gauge (Bracket included)	1
15	SR738	Threaded Fitting, for 1/8 i.d. Hose	1
16	SR271	Tee-Fitting, for 1/8 i.d. Hose	2
17	SR261	Fitting, Mini Barbed, Male	2
18	SR382	Fitting, 90° Elbow	2
19	SR241	Strain Relief for Power Cord	1
20	SR283	Hose, 1/8" i.d. x 1/4 o.d. Polyurethane (Sold Per Foot) 6 ft. 8", 3", 3", 3", 7/8"	
21	SR035	Dovetail Riser Adapter Plate	1
22	HB357	Fitting, Barbed, for 1/8" i.d. Hose	1
23	HB359	Fitting, Male, Quick Disconnect, Air Input	1
24	LC363	Locking Sleeve for 1/4 o.d. Hose	1
25	SR274	Nut, Hex, 14-28, brass	2
26	SR275	Fitting, Female Bulkhead Mounting, 1/8 i.d.	2
27	SR486	Fitting, Male, Luer, for 1/8" i.d. Hose	1
28	SR277	Plug, Male, for 1/8 id. Female Bulkhead Fitting	1
29	SR278	Lock Ring for female Bulkhead Fitting	2
30	SR279	Color Code Ring	2
31	SR036	Shelf Plate	2
32	SR037	3-Prong 120 VAC Receptacle	1
33	SR767	Bottom Base for PS542	1
34	SR054	Bottom Weight	1
35	SR569	Fuse Holder	1
36	SR724	Fuse, 6.3A, 250V	1
37	SR050	Cable Tie	1
38	SR051	Mount for Cable Tie	1

1032 instruction manual



ALL RIGHTS RESERVED.
NO PART OF THIS PUBLICATION INCLUDING THE INDIVIDUAL ICONS
MAY BE REPRODUCED OR UTILIZED IN ANY FORM OR BY ANY MEANS
WITHOUT THE PERMISSION OF EDSYN, INC.

THE NAMES LONER, SOLDAPULLT, SOLDAVAC, ATMOSCOPE, AUTO-VAC, IDLE-REST,
OCTAVAC AND KLATCH
ARE REGISTERED TRADEMARKS OF EDSYN, INC.



Intellectual
Property

MOST PRODUCTS ARE COVERED BY U.S. AND
FOREIGN PATENTS AND PENDING APPLICATIONS.

DESIGN, COLOR AND MATERIALS
SUBJECT TO CHANGE WITHOUT NOTICE.

TIP STYLE ON SOLDERING, DESOLDERING AND HOT AIR TOOLS MAY VARY.

PRINTED IN U.S.A.

©Copyright EDSYN, Inc. 1998



15958 ARMINTA ST. VAN NUYS, CA 91406-1896
PHONE: 818.989.2324 FAX (sales): 818.997.0895
Email: info@edsyn.com Internet: www.edsyn.com

FORM.488
Rev E