

EDSYN^{INC}®

VS171A

ATMOSCOPE[®]

Vacuum Pump



MADE IN THE
U.S.A.

SPECIFICATIONS

Length: 8.3 in (210.8 mm)

Width: 6.8 in. (172.7 mm)

Height: 4.1 in. (104.2 mm)

Weight: 1 lb. 7 oz (644 g)

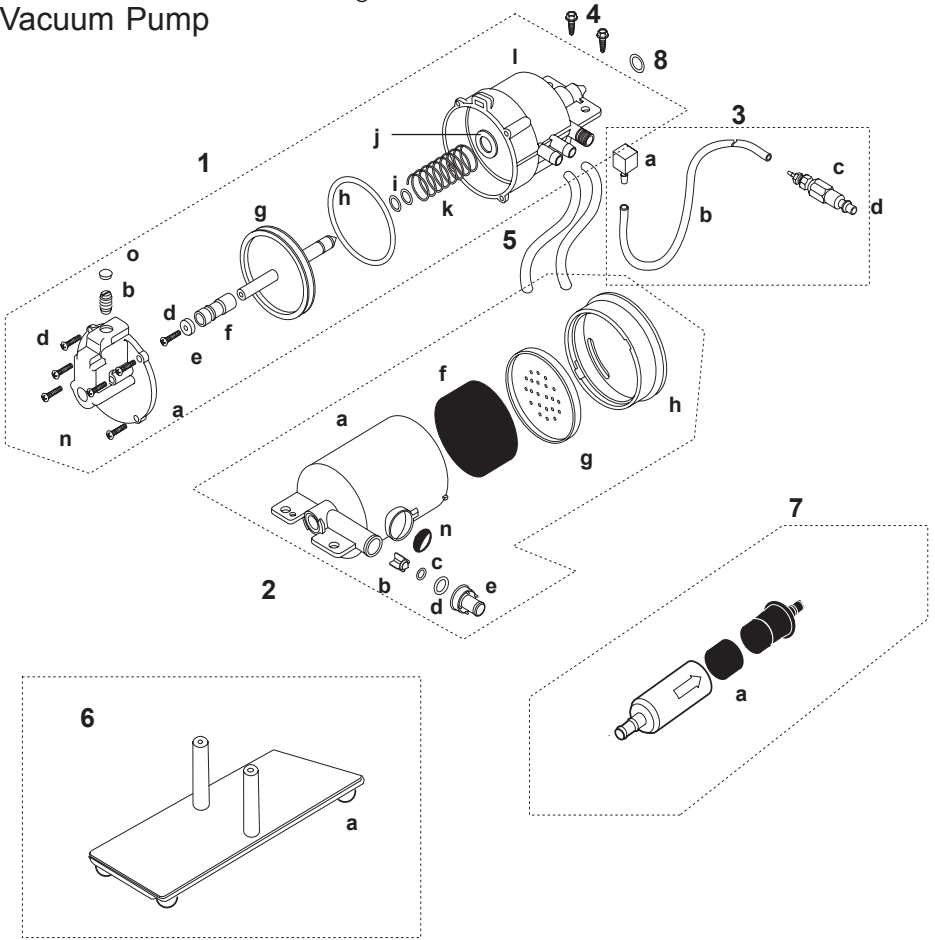
Air Input: 80 - 90 psi (514 - 620 kPa)

Vacuum Output: 15 - 22 in. Hg

Shown with Quick Disconnect Fitting
connect to shop air, 80 - 90 psi
(must be clean, dry & oil-free)

VS171A ATMOSCOPE®

Vacuum Pump



Also Available in Kit:

OV367 O-ring Set (include items 1h, 1i & 1m)

NOTES:

1. When installing Ball Plunger, turn it fully clockwise until it bottoms. Then loosen 1/8 to 1/4 turn.
Use 3 drops of oil on cam thru hole on cover.

ITEM NO.	PART NO.	DESCRIPTION	QTY REQ'D
1	VP267H	REGUBLASTER Pump Assy. Hi Flow	1
a	SR088	Cover for REGUBLASTER Pump Assy.	1
b	SR093	Ball Plunger, Screw Type (see notes)	1
d	SR011	Screw, Phillips hd., 6-18 x 5/8, Self-Tapping	4
e	SR092	Washer for Cam	1
f	SR091	Cam	1
g	SR090	Plunger	1
h	SR357	O-Ring for Plunger, 2" I.D.	1
i	SR239	O-Ring for Plunger Shaft	2
j	SR096	Washer, Shim for Return Spring	1
k	SR095	Return Spring	1
l	SR871	Housing, REGUBLASTER Pump Assy. Hi Flow	1
n	SR229	Logo, Edsyn ®	1
2	VP268H	QUIETURI, Muffler-Venturi Assy. Hi Flow	1
a	SR872	Housing, QUIETURI	1
b	SR100	Check Valve	1
c	SR239	O-Ring for Check Valve	1
d	SR240	O-ring for Check Valve Cap	1
e	SR087	Cap for Check Valve	1
f	VM034	Muffler Element	1
g	SR101	Baffle Plate	1
h	SR099	Cap, QUIETURI Housing	1
n	SR229	Logo, EDSYN ®	1
3	SR097	Hose Assy., High Pressure	1
a	SR234	Fitting, Mini. Barbed, 90° Elbow, Square	1
b	SR002	Hose, Polyurethane, 5/32 I.D. (sold per foot)	4 ft.
c	HB358	Fitting, Mini. Barbed, 5/32 I.D. Tube	1
d	HB359	Fitting, Quick Disconnect	1
4	SR230	Screw, Hex-Hd., 6-18 x 1/2, self-tapping	2
5	HS320	Hose, Low Static, Silicone (sold per foot) 4" & 16" required	2
6	SR870	Vacuum Pump Base	1
a	SR251	Rubber Feet	4
7	AF110H	Filter Assembly	1
a	AF040	Replacement filter	1
8	SR224	O-Ring for REGUBLASTER	1

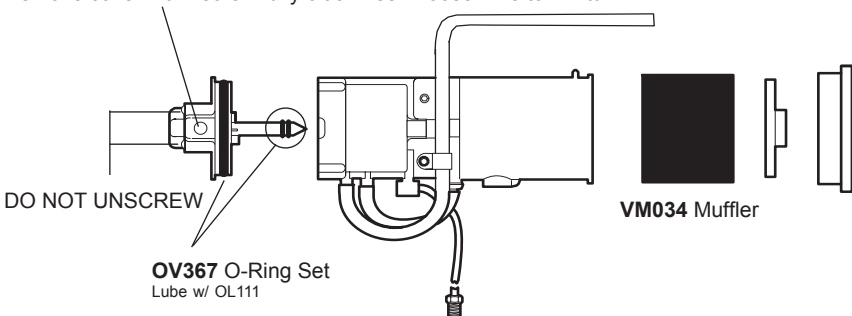
MAINTENANCE
Replace parts if dirty
or wornout.

CAUTION: Toggle Spring Housing
and Plunger are spring loaded.

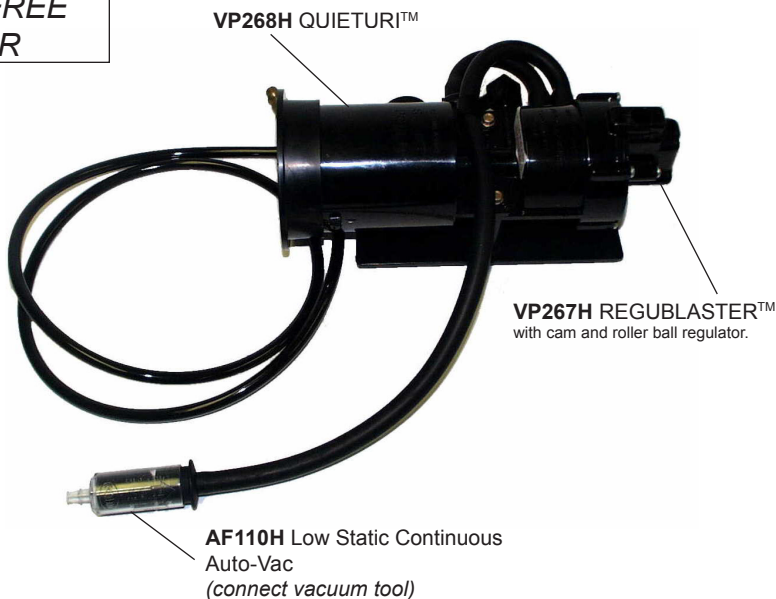
Toggle should activate approximately 11 in. Hg.
Toggle should shut off when vacuum reaches 22in. Hg.

TO ADJUST:

Remove cover. Turn screw fully clockwise. Loosen 1/8 to 1/4 turn



**USE
CLEAN, DRY
OIL-FREE
AIR**



Intellectual
Property



EDSYN INC®

...the power of precision

15958 Arminta Street • Van Nuys • CA 91406-1896
Web Site www.edsyn.com • eMail info@edsyn.com