

TH107



*Solder spool not included

Features

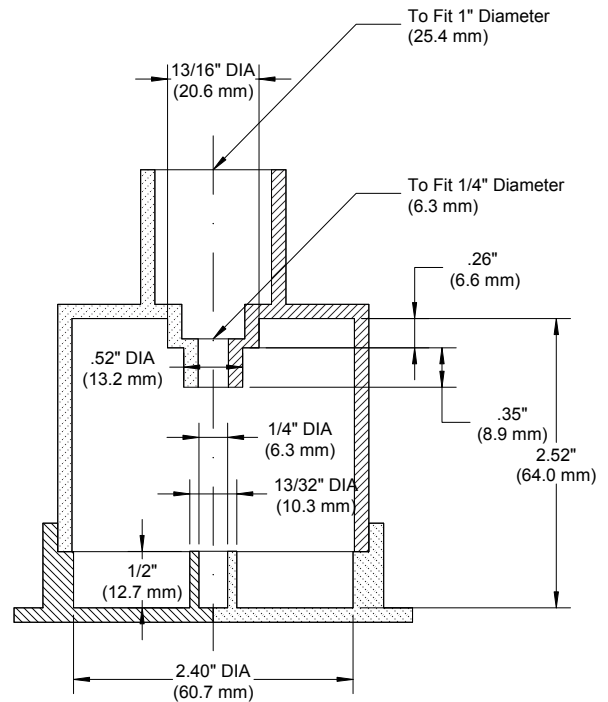
- Convenient storage bay for most SOLDAPULLT hand tools
- Solder spool holder & dispenser (holds 1 lb roll or less)
- Quick and easy solder replacement
- ESD safe
- 90 day warranty

TH107 Contents

TH107 SOLDAPULLT[®] Tool and Solder Organizer

Specifications

Weight	4 ounces
Dimensions	see drawing



Steps to Load Solder Roll



- Place product in front of you as shown.
- Twist housing counter clockwise until stops.
- Remove housing.
- Place solder spool on the bottom base and feed solder through the hole in the housing.
- Line up tabs to slots on bottom base.
- Insert housing and twist clockwise until stops.

In rare cases when solder is pulled and the TH107 moves, with the other hand hold the TH107 or desoldering tool and pull

Warranty

Edsyn stands behind its products. We warrant that new tools will be free from defects for 90-days from the date of purchase. During this time period Edsyn will repair or, at its option, replace the roll at no charge. This warranty does not include tips and accessories. Any tool that appears to have been deliberately abused, altered, or destroyed is not covered by this warranty.

Technical Support

Contact our Customer Service for assistance related to the purchase of this product or recommendations on a challenge that you may encounter. There are many replacement parts that are available to keep your tool in top condition. To speak to someone in Customer Service, call 818-989-2324.

© Copyright 2012 by EDSYN Inc. All Rights Reserved

No part of this publication, including individual icons, may be reproduced or utilized in any form or by any means without the written permission of EDSYN, Inc.

 Designed & Assembled in U.S.A. 

Design, color, weight, and material subject to change without notice. Components from other designs may be used with information pertaining to it, but not applicable to another use. Labels and instructions will supersede this information.

EDSYN, Inc., 15958 Arminta St., Van Nuys, CA 91406

www.edsyn.com info@edsyn.com · FORM 1099A



www.edsyn.com