

EDSYN^{INC}®

1036DX-100

ATMOSCOPE[®]

self-contained

Deluxe SMD HOT AIR
WORK STATION



SPARE PARTS LIST

1036DX-100

ATMOSCOPE®

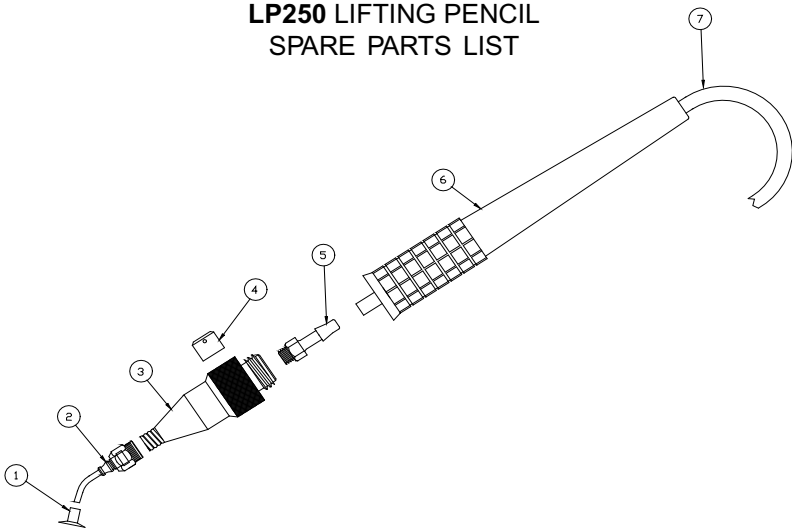
self-contained

Deluxe SMD HOT AIR

WORK STATION

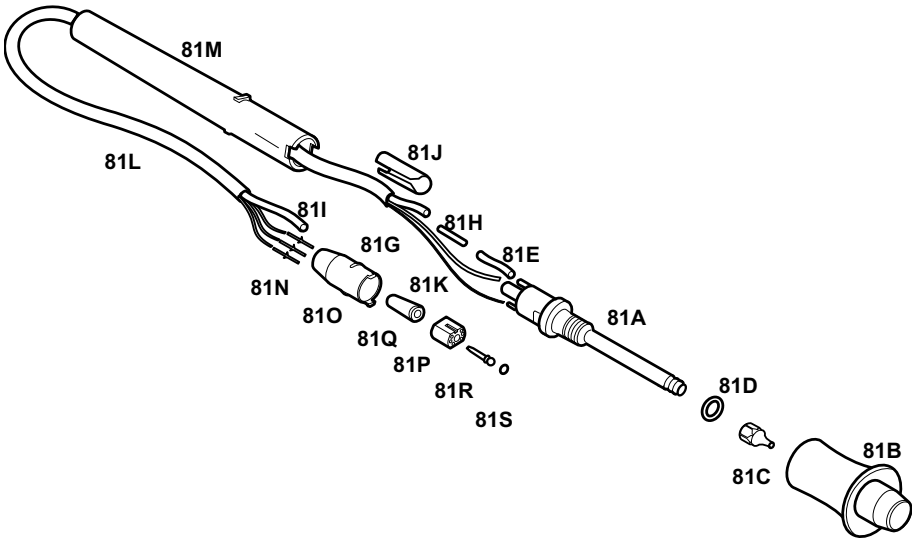
Spare Parts

LP250 LIFTING PENCIL SPARE PARTS LIST



ITEM NO.	PART NO.	DESCRIPTION	QTY REQD
1	SP250	Suction Cup, 1/4 Dia.	1
2	LN276	Angled Lifting Needle	1
3	SR527	Head Piece Assy.	1
4	SR528	Vacuum Port Assy.	1
5	SR261	Fitting, Male Barbed, for 1/8 ID. Hose	1
6	SR701	Handle	1
7	HS307	Hose, 1/8 ID. Silicon, Low Static	36"

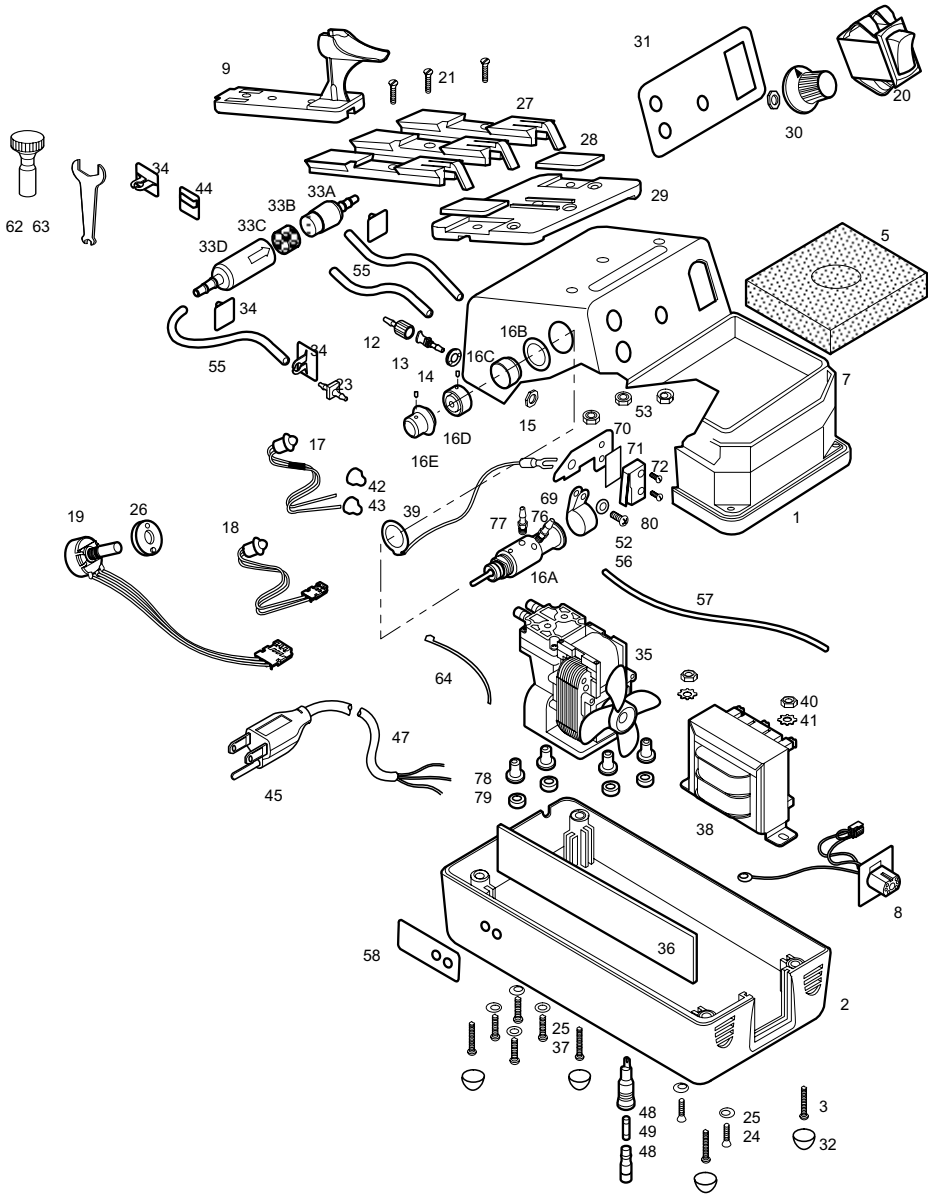
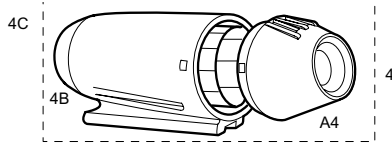
1036DX-230 SPARE PARTS LIST



ITEM NO.	PART NO.	DESCRIPTION	QTY REQ'D
81A	SR394	Heater Assy. 24V	1
81B	SR521	Collar	1
81C	LU26	Turbo Tip, Medium, LONER Universal	1
81D	SR062	O-Ring	1
81E	HS304	Hose, 3/8 ID. Silicon, Low Static	1-1/4"
81F	SR522	Shrink Sleeve, 3/8 Dia. Green	1/2"
81G	SR445	Wire, 22 AWG. Black	3@
		51", 51", 2"	
81H	SR523	Tube, Stainless Steel	5/8"
81I	HS308	Hose, 3/32 ID. Polyurethane	60"
81J	HS309	Hose, 3/16 ID. Polyurethane, Clear	2"
81K	SR524	Wire, 22 AWG. Non-Insulated	51"
81L	SR525	Hose, 1/4 ID. Silicon, Low Static	45"
81M	SR713	Handle	1
81N	SR495	Connector, Male Crimp	1
81O	SR674	Connector Housing	1
81P	SR675	Connector Shell	1
81Q	SR649	Boot	1
81R	SR647	Barbed Fitting	1
81S	SR648	O-ring, #2-006	1

For complete assembly, order **SR362** Hot Air & Contact Soldering Tool

1036DX-100 SPARE PARTS LIST



1036DX-100 SPARE PARTS LIST OLDER VERSION

Hardwired with Fuse on pigtail

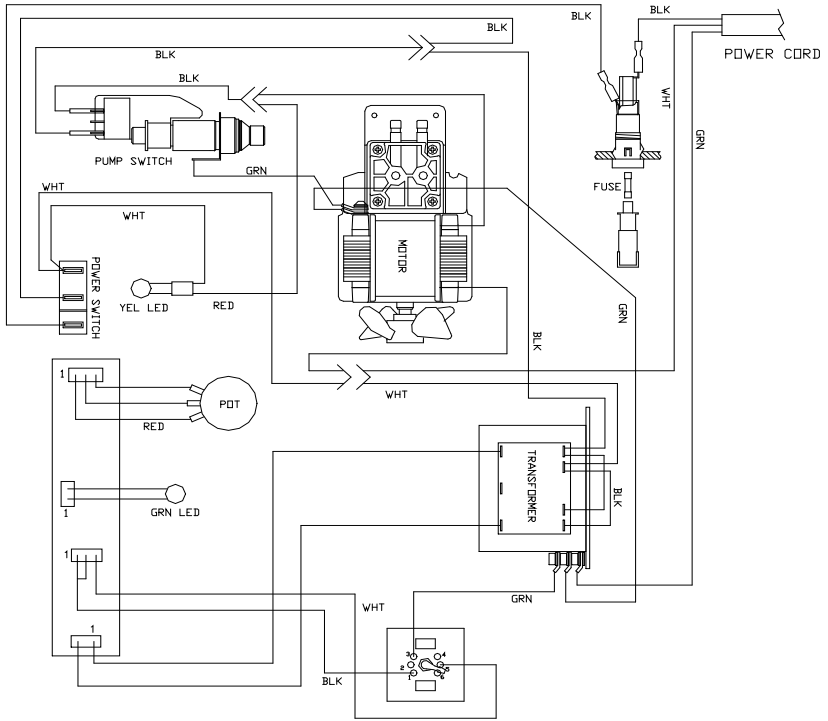
ITEM NO.	PART NO.	DESCRIPTION	QTY REQ'D
1	SR483	Top Cover, Power Supply	1
2	SR484	Bottom Base, Power Supply	1
3	SR011	Screw, Round Head, Phillips, Self-Tapping	4
4	PD533	Tool Pod	1
4A	SR457	Front Housing	1
4B	SR531	Housing	1
4C	SR532	Label for Tool Pod	1
5	RS199	Cleaning Sponge	1
7	SH232	Sponge Holder	1
8	SR651	Connector Assembly	1
9	PD534	Tool Holder for Pick-Up Tool	1
12	SR486	Fitting, Male Luer, for 1/8 ID Hose	1
13	SR275	Fitting, Female Luer, 1/8 ID	1
14	SR279	Color Code Ring For Quick Disconnect	1
15	SR274	Nut, for Female Luer	1
16A*	SR530	Housing & Needle Sub-Assy.	1
16B*	SR506	Flat Washer	1
16C*	SR507	Flange Nut	1
16D*	SR508	Retaining Cap	1
16E*	SR509	Control Knob w/ Graduated Dial	1
17	SR759	LED Assy. Yellow	1
18	SR573	LED Assy. Green	1
19	SR243	Potentiometer Assy.	1
20	SR065	Power Switch	1
21	SR488	Screw, Flat Head, Phillips	3
23	HB356	Fitting, Male, for 1/8 ID. Hose	1
24	SR561	Screw, Round Head, Slotted	2
25	SR016	Washer, Flat, #6	6
26	SR255	Spacer, for Potentiometer Assy.	1
27	SR019	Dovetail	1
28	SR036	Shelf Plate Riser	2
29	SR035	Adapter Plate	1
30	SR045	Knob, Temperature Control	1
31	SR490	Label, Front Panel	1
32	SR012	Bumper	1
33A**	SR266	End Cap	1
33B**	AF629	Felt Filter	1
33C**	AF040	Foam Filter	1
33D**	SR533	Barrel, Clear, for AF110	1
34	SR439	Holder, Clip	1
35	SR535	Motor/Pump, 115V	1
36	15242W53H9	PCB Assy. 24V, 2-Wire	1
37	SR468	Screw, Round Head, Phillips	4
38	SR138	Transformer, Dual Primary	1
39	SR492	Wire Assy. Ground Lug	1
40	SR017	Nut, Hex, 6-32	3

ITEM NO.	PART NO.	DESCRIPTION	QTY REQ'D
41	SR139	Washer, #6, Lock, External Tooth	3
42	SR493	Crimp, Closed End, 22 - 18 AWG	1
43	SR494	Crimp, Closed End, 16 - 14 AWG	2
44	SR416	Holder, Tip Wrench Hanger	1
45	SR328	Power Cord only	1
47	SR875	Power Cord Assy.	1
48	SR569	Fuse Holder	1
49	SR563	Fuse, 3.15A	1
52	SR431	Washer, #10, Flat	1
53	SR467	Nut, Square Cone	3
55	HS307	Hose, 1/8 ID. Silicon, Low Static (sold per foot)	3@
		4", 6" and 6"	
56	SR518	Screw, Pan Head, Phillips	1
57	HS308	Hose, 3/32 ID. Polyurethane (sold per foot)	12"
58	SR310	Label, Temp. Calibration	1
62	WT620	Tip Socket Wrench	1
63	WT623	Tip Wrench	1
64	SR050	Cable Tie	1
69	SR514	Clamp	1
70	SR515	Bracket	1
71	SR876	Insulator	1
72	SR113	Micro Switch	1
76	SR512	Fitting, Male, Barbed, for 3/32 ID Hose	2
77	SR513	Fitting, Male, Barbed, for 1/8 ID Hose	1
78	SR470	Well Nuts	4
79	SR469	Spacers for Well Nuts	4
80	SR516	Screw, Pan Head, Slotted	2

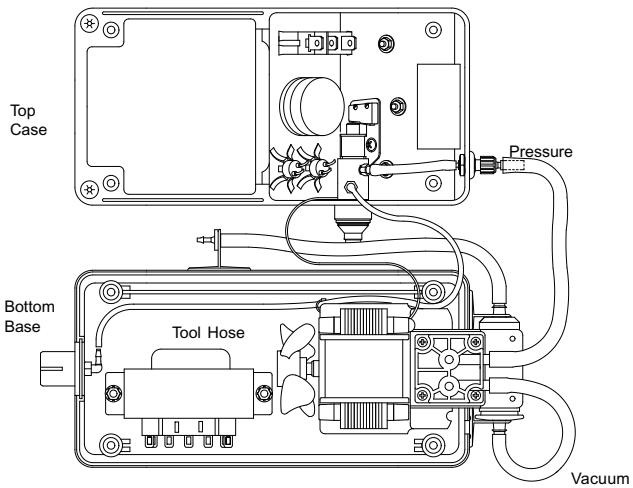
* For complete assembly, order **SR487** Air Flow Regulator Assy.

For complete assembly, order **AF110 In-Line Vacuum Filter

WIRING DIAGRAM



HOSE CONNECTION



1036DX-100 spare parts list



THE NAMES LONER, SOLDAPULLT, SOLDAVAC, ATMOSCOPE
AUTO-VAC, IDLE-REST, OCTAVAC AND KLATCH
ARE REGISTERED TRADEMARKS OF EDSYN, INC.

MOST PRODUCTS ARE COVERED BY U.S. AND
FOREIGN PATENTS AND PENDING APPLICATIONS.



Intellectual
Property

DESIGN, COLOR AND MATERIALS
SUBJECT TO CHANGE WITHOUT NOTICE.

TIP STYLE ON SOLDERING, DESOLDERING AND HOT AIR TOOLS MAY VARY.

PRINTED IN U.S.A.



...the power of precision

15958 ARMINTA ST. VAN NUYS, CA 91406-1896
PHONE: (818) 989-2324 FAX (sales): 818-997-0895
Email: info@edsyn.com Internet: www.edsyn.com